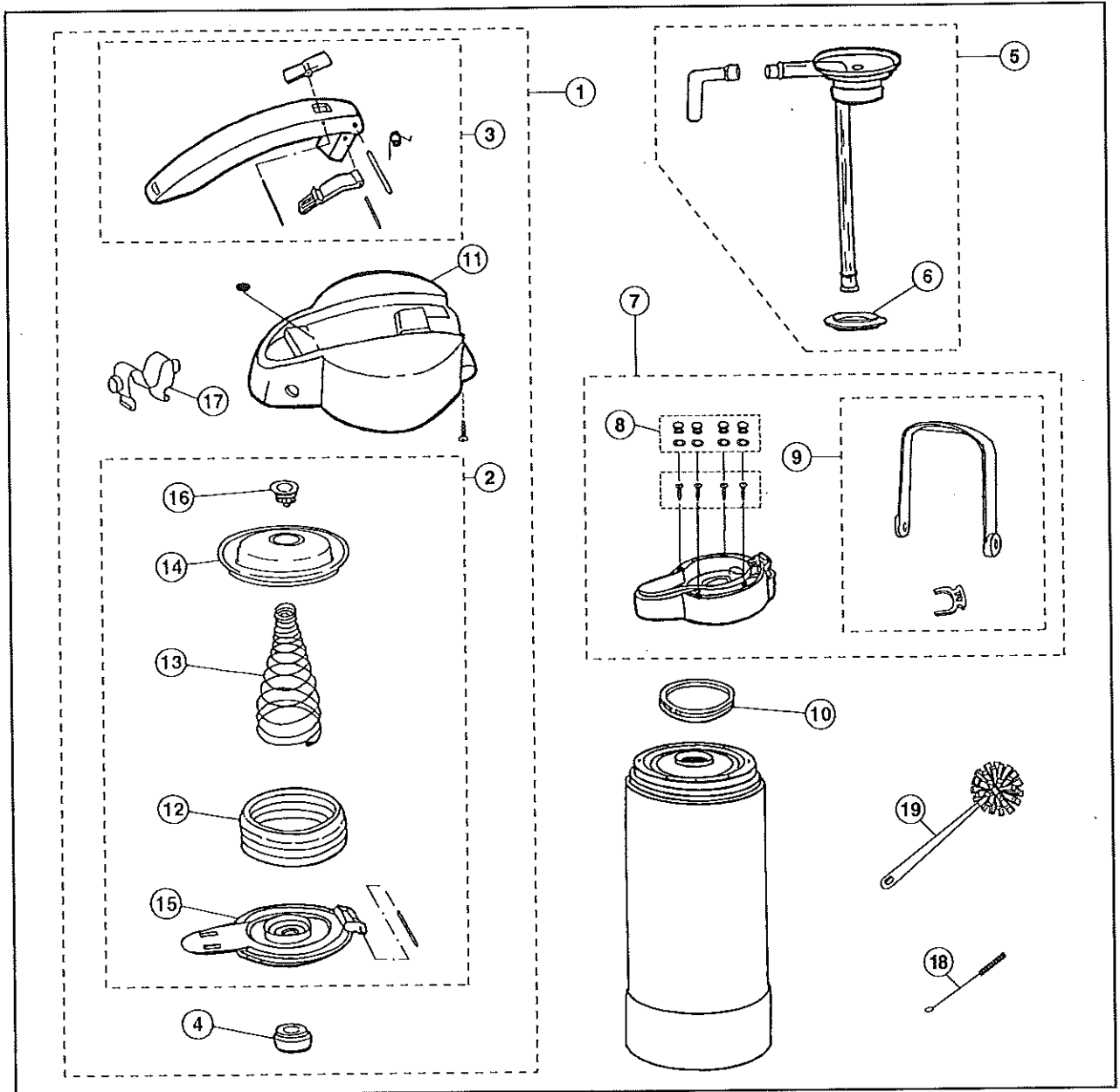




# Instruction Manual

AIR POT® STAINLESS STEEL BEVERAGE DISPENSER



SR-AG30/SR-AG38

Air Pot is a registered trademark of Zojirushi Corporation.  
ZOJIRUSHI AMERICA CORPORATION

Tel : 800-733-6270  
www.zojirushi.com

# CLEANING INSTRUCTIONS

## IMPORTANT:

- Do not use bleach, chlorine, or other harsh chemicals.
- Do not soak the pot in water.
- This product is designed to hold water, coffee or tea. Do not use for other beverages.

## 1. CLEANING THE LINER

Always remove the Lid Set before cleaning the liner. Hold the Lid Set at a 55° angle and gently pull forward to remove. Do not force.

- ① Fill the pot with clean hot water and discard. This will help remove coffee grinds and other substances.
- ② Fill the pot with coffee pot cleaning liquid and let stand for 10 to 15 minutes. DO NOT use cleaning detergents that contain bleach or chlorine.
- ③ After the recommended time has elapsed, use the large brush that came with the pot to scrub and wash the inside of the pot. Do not use abrasive brushes as they may scratch and damage the inside of the pot.
- ④ Discard the detergent fluid from the mouth of the pot.
- ⑤ Fill the pot again with fresh water and discard. Repeat until the water clears.

## 2. CLEANING THE STOPPER AND LID

The Lid Set and Stopper can be disassembled completely to clean and sanitize. Use the three-sink method to sanitize all parts thoroughly.

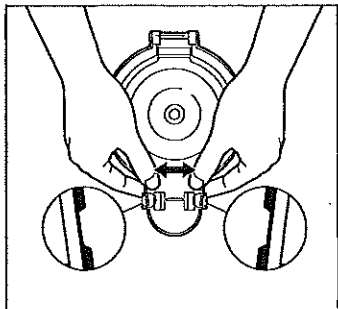
### How to Disassemble the Lid Set

- ① Remove the Lid Set from the body by holding the Lid Set at a 55° angle and gently pulling forward.
- ② Widen the front part of the lid and release the two hooks (see Figure 1).
- ③ Push down on the lever while covering the hole of the seal rubber (see Figure 2). The air pressure will push the bellows set off.
- ④ The bellows set consists of the bellows, upper plate and lower plate, which are clamped together. Remove the upper and lower plates by gently pulling them apart (see Figure 3). When doing so, be careful not to let the spring within the bellows spring out. Be careful not to poke any holes in the bellows with fingernails.

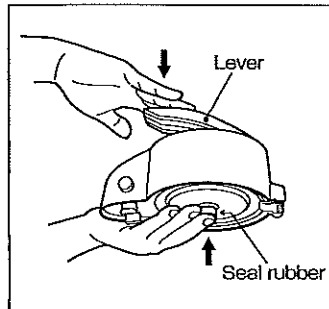
### How to Clean and Sanitize (Three-Sink Method)

- ① Wash all parts in first sink filled with tepid water and detergent. Use the small brush that came with the pot to clean thoroughly.
- ② Rinse all parts in second sink filled with clean tepid water.
- ③ Sanitize in third sink filled with a chloride type sanitizing liquid diluted with water to a density of 200 ppm. Soak for 5 minutes.
- ④ Rinse all parts under water to remove sanitizing liquid.
- ⑤ Allow to dry completely.

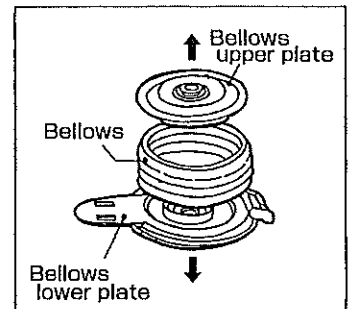
※Never sanitize parts by boiling in water or immersing in hot water. Be especially careful with the bellows.



(Figure 1)



(Figure 2)

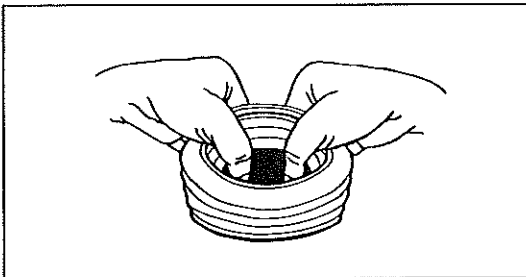


(Figure 3)

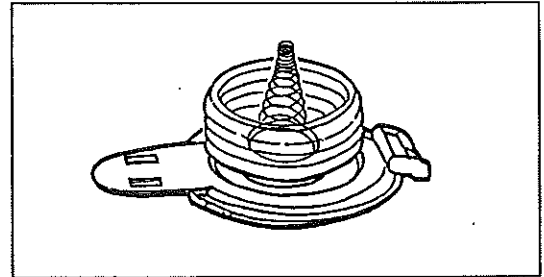
# CLEANING INSTRUCTIONS

## How to Assemble the Lid Set

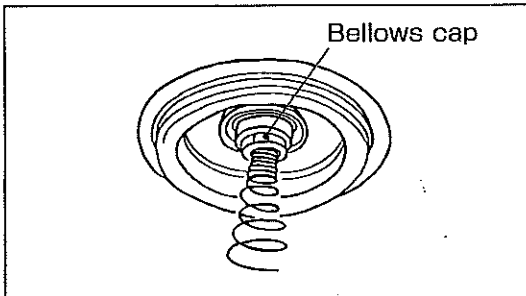
- ① Place the smaller inner diameter side of the bellows into the protruding section over the ring of the bellows' lower plate as shown in Figure 4, and attach the bellows by pressing along the entire circumference with your fingers.
  - ※ Set it completely so there is no air leak.
  - ※ Make sure not to poke holes in the bellows with your fingernails.
- ② House the larger side of the bellows spring within the circular rib on the lower plate of the bellows (see Figure 5).
- ③ Arrange it so that the smaller side of the spring can be inserted into the protruding section of the bellows cap attached to the upper plate, and attach the bellows to the bellows' upper plate (see Figure 6). Setting the bellows' upper plate on one section of the bellows and turning it will make it easier to attach (see Figure 7).
  - ※ Set it completely so there is no air leak.
  - ※ Make sure air does not leak from the bellows set by covering the hole of the seal rubber with one hand and pushing down on the center button of the bellows with the other hand. If attached correctly, the bellows should not be able to collapse.
- ④ Position the lock buttons at the opening of the bellows' lower plate, and clamp on the bellows' lower plate by pressing it onto the lid (see Figure 8).



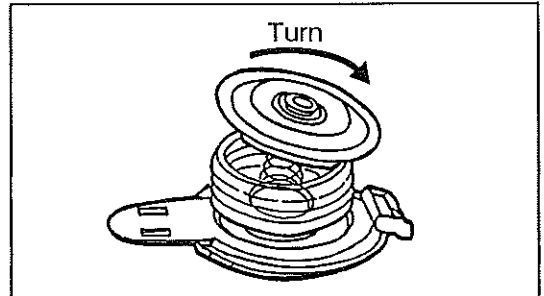
(Figure 4)



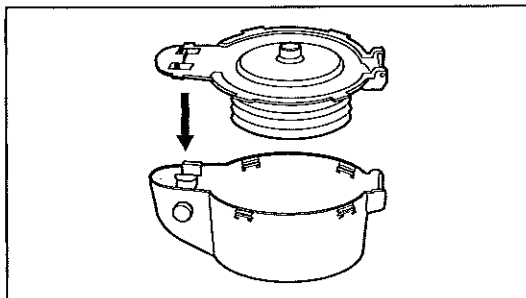
(Figure 5)



(Figure 6)



(Figure 7)



(Figure 8)

DIAGRAM NO.	PARTS NAME	PARTS NUMBER
1	LID SET	7-SRA-P010
2	BELLOWS SET	Sold as part of LID SET (#1)
3	LEVER SET	Sold as part of LID SET (#1)
4	SEAL RUBBER (TOP GASKET)	7-AAP-P032
5	STOPPER SET (FOR SR-AG30)	7-SRA-P050
	STOPPER SET (FOR SR-AG38)	7-SRA-P051
6	GASKET FOR STOPPER	Sold as part of STOPPER (#5)
7	SHOULDER	Not available as a part
8	SHOULDER CAP	Not available as a part
9	HANDLE	Not available as a part
10	LINER GASKET	Not available as a part
11	LID	Sold as part of LID SET (#1)
12	BELLOWS	Sold as part of LID SET (#1)
13	BELLOWS SPRING	Sold as part of LID SET (#1)
14	BELLOWS UPPER PLATE	Sold as part of LID SET (#1)
15	BELLOWS LOWER PLATE	Sold as part of LID SET (#1)
16	BELLOWS CAP	Sold as part of LID SET (#1)
17	LOCK BUTTON	Not available as a part
18	BRUSH (S)	7-SRA-P180
19	BRUSH (L)	7-SRA-P190