



Item: \_\_\_\_\_

Quantity: \_\_\_\_\_

Project: \_\_\_\_\_

Radiant Broiler

## Royal Series

<b>Models:</b>	<input type="checkbox"/> RRB-12	<input type="checkbox"/> RRB-18	<input type="checkbox"/> RRB-24	<input type="checkbox"/> RRB-30
	<input type="checkbox"/> RRB-36	<input type="checkbox"/> RRB-48	<input type="checkbox"/> RRB-60	<input type="checkbox"/> RRB-72



RRB-36

Gas Type:  Natural  LP

Elevation (if above 2000 ft.): \_\_\_\_\_

### Standard Features

- 11" high, Low Profile
- Easily removable and replaceable independent firebox assembly
- Full width, removable stainless steel crumb pan under the broiler for easy cleaning
- Heavy duty cast iron radiant covers
- Compact heavy gauge chassis for long life
- Stainless steel sides, front valve cover and ledge
- Double wall panels for cooler sides
- All welded fire box supports heavy duty radiant covers
- Stainless steel tubular burners rated at 15,000 BTU/hr each
- Individually adjustable burners provide powerful radiant heat
- Standing pilots for instant ignition
- Heavy duty cast iron top grates
- Stainless steel tubing for pilots
- 4" high adjustable heavy duty legs included

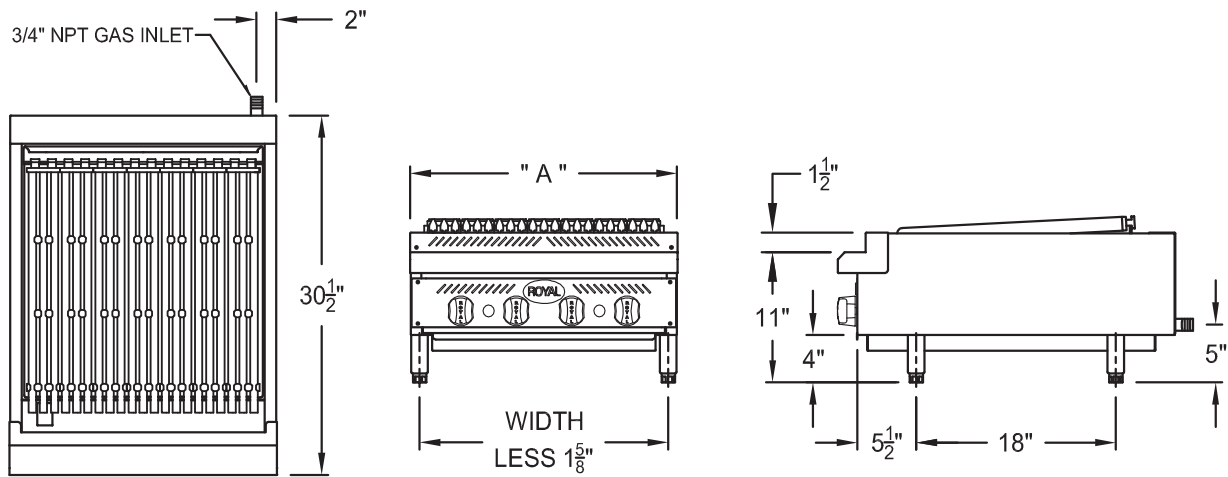
### Options and Accessories

- Fish grate
  - Diamond grate
  - Stainless steel splash guard, up to 12" high, sides tapered to 4" in front
  - Add plate shelf with or without cutouts
  - Stainless Steel Equipment Stand
    - Knock Down  All Welded
- Size**
- 12"  18"  24"  30"  36"  48"  60"  72"
  - 5" swivel casters (set of four - 2 locking)
  - 5" swivel casters (set of six - 3 locking) (60" and 72" models)



**2 YEAR LIMITED, PARTS AND LABOR WARRANTY**

# Radiant Broiler



Model Number	Width (A)	Number of Burners	Total BTU	Ship Weight
RRB-12	12"	1	15,000	170 lbs.
RRB-18	18"	3	45,000	235 lbs.
RRB-24	24"	4	60,000	300 lbs.
RRB-30	30"	5	75,000	340 lbs.
RRB-36	36"	6	90,000	383 lbs.
RRB-48	48"	8	120,000	460 lbs.
RRB-60	60"	10	150,000	510 lbs.
RRB-72	72"	12	180,000	670 lbs.

**Notes:**

- Each burner is rated at 30,000 BTU/hr

**Gas Connection:**

3/4" NPT on the right hand rear of the appliance.

The pressure regulator (supplied) is to be connected by the installer.

Specify type of gas and altitude, if over 2,000 feet, when ordering.

**Gas Pressure:**

5" W.C.	Natural Gas
10" W.C.	Propane

**Clearances:**

	Combustible	Non-Combustible
Rear	4"	0"
Sides	15"	0"

Due to continuing product development to ensure best possible performance, these specifications are subject to change without prior notification.

**Royal Range of California, Inc.**  
 3245 Corridor Dr. • Eastvale, CA 91752 • (800) 769-2414 • (951) 360-1600  
 Fax: (951) 360-7500 • www.royalranges.com • sales@royalranges.com