


# CWTF35-3T (2U/1L Warmer)

Height: 18.9" (48.0cm) Width: 8.5" (21.6cm) Depth: 17.8" (45.2cm)

- Model is space-saving 8.5" (21.6cm) wide
- Hot water faucet (requires active plumbing connection)
- Pourover feature
- SplashGard® funnel deflects hot liquids away from the hand
- Servers not included unless otherwise noted



 Server(s) sold separately

Agency:

## Specifications

**Product #:** 12950.6053

**Faucet:** Upper

**Water Access:** Plumbed

**Warmers:** Two Upper/ One Lower

**Finish:** Black

**Funnel:** Black Plastic

## Additional Features

## Electrical & Capacity

Volts*	Amps	Watts	Cord Attached	Plug Type	8oz cups/hr 236ml cups/hr	Input H <sub>2</sub> O Temp.	Phase	# Wires plus Ground	Hertz
-	-	-	-	-	120	60°F (15.5°C)	-	-	-

\*When a BUNN is machine rated 120/208-240V, 120/208V or 120/240V, the higher voltage is the supply voltage needed to power the machine. The 120V is there to supply power to some components rated 120V in the machine, but it is not the supply voltage and would not power the machine if the machine is marked with the before mentioned ratings.

## Plumbing Requirements

PSI	kPa	Fitting Supplied	Water Flow Required (GPM)
20-90	138-621	1/4" Male Flare Fitting	-

## CAD Drawings

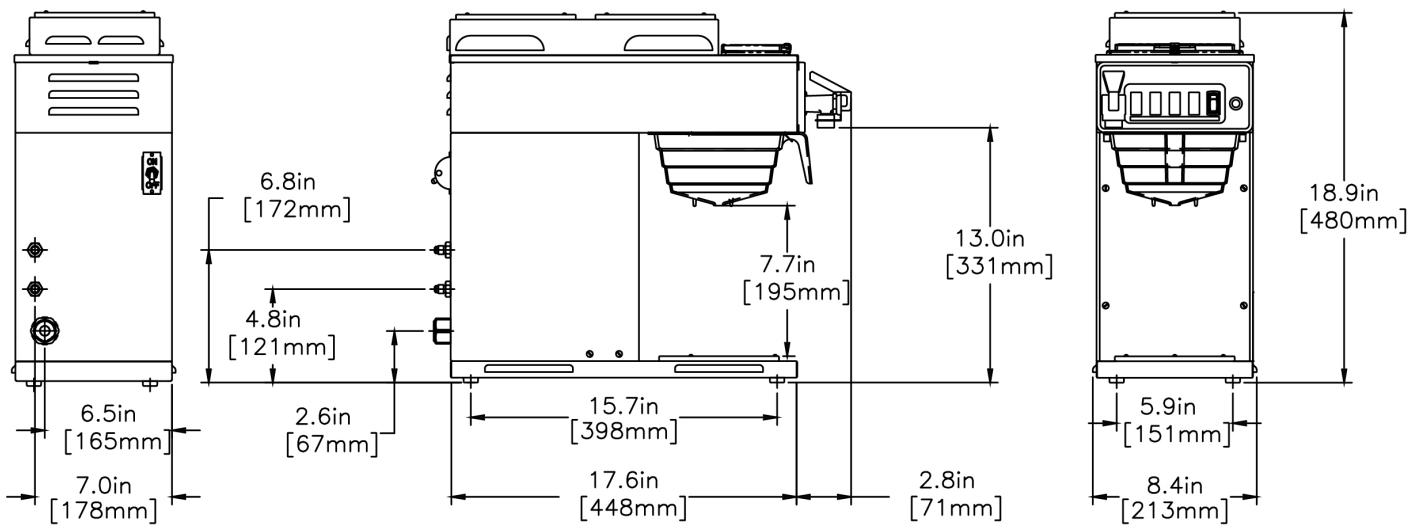
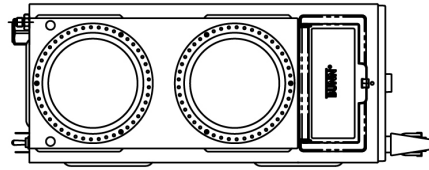
2D	Revit	KLC
●		

 **WARNING:**



BUNN® reserves the right to change specifications and product design without notice. Such revisions do not entitle the buyer to corresponding changes, improvements, additions or replacements for previously purchased equipment. For most current specifications and other info visit [bunn.com](http://bunn.com).

Last Updated:  
12/15/2022



Unit			Shipping					
	Height	Width	Depth	Height	Width	Depth	Weight	Volume
English	18.9 in.	8.5 in.	17.8 in.	-	-	-	-	-
Metric	48.0 cm	21.6 cm	45.2 cm	-	-	-	-	-



BUNN® reserves the right to change specifications and product design without notice. Such revisions do not entitle the buyer to corresponding changes, improvements, additions or replacements for previously purchased equipment. For most current specifications and other info visit [bunn.com](http://bunn.com).

Last Updated:  
12/15/2022

# Related Products & Accessories: CWTF35-3T (2U/1L Warmer)(12950.6053)



FUNNEL W/DECAL, PPK  
NAR BLK (SM)

Product #: 02774.0011



FUNNEL W/DECAL, PPK  
NAR BLK (LG)

Product #: 04274.0012



STOVE, WX2 120V/200W

Product #: 06310.6000



STOVE, WX1 120V/100W

Product #: 06450.6000



FILTERS, REG/1M

Product #: 20115.6000



FUNNEL ASSY, SST-BLK  
HDL (7.12)

Product #: 20216.0000



FUNNEL ASSY, SST-PP  
BLK HDL

Product #: 29151.0000



FUNNEL ASSY, SST-PP  
ORANGE HDL

Product #: 29151.0001



WATER FILTER  
SYSTEM, EQ-17-TL

Product #: 30200.1000



WATER FILTER, IN LINE  
ED-17-TL

Product #: 30201.1001



SYSTEM, WEQ-10 (1.5) 5L

Product #: 56000.0024



CARTRIDGE, WEQ-10  
(1.5) 5L

Product #: 56000.0121



CARTRIDGE, WEQ-10.3  
(1.67) 5L

Product #: 56000.0137



BUNN® reserves the right to change specifications and product design without notice. Such revisions do not entitle the buyer to corresponding changes, improvements, additions or replacements for previously purchased equipment. For most current specifications and other info visit [bunn.com](http://bunn.com).

Last Updated:  
12/15/2022

# Serving & Holding Options: CWTF35-3T (2U/1L Warmer)(12950.6053)



EASY POUR®,(BLK) 1/CS

Product #:06100.0101



EASY POUR®,(BLK) 2/CS

Product #:06100.0102



EASY POUR®,(BLK) 3/CS

Product #:06100.0103



EASY POUR®,(BLK) 6/CS

Product #:06100.0106



EASY POUR®,(BLK) 12/CS

Product #:06100.0112



EASY POUR®,(BLK) 24/CS

Product #:06100.0124



EASY POUR®,(ORN) 1/CS

Product #:06101.0101



EASY POUR®,(ORN) 2/CS

Product #:06101.0102



EASY POUR®,(ORN) 3/CS

Product #:06101.0103



EASY POUR®,(ORN) 24/CS

Product #:06101.0124



DECANTER, GLASS-BLK 12C 24/CS

Product #:42400.0024



DECANTER, GLASS-BLK 12CUP 1PK

Product #:42400.0101



DECANTER, GLASS-BLK 12C 3/CS

Product #:42400.0103



DECANTER, GLASS-ORN 12C 24/CS

Product #:42401.0024



DECANTER, GLASS-ORN 12 CUP 1PK

Product #:42401.0101



DECANTER, GLASS-ORN 12C 3/CS

Product #:42401.0103



BUNN® reserves the right to change specifications and product design without notice. Such revisions do not entitle the buyer to corresponding changes, improvements, additions or replacements for previously purchased equipment. For most current specifications and other info visit [bunn.com](http://bunn.com).

Last Updated:  
12/15/2022