



HAND SINKS

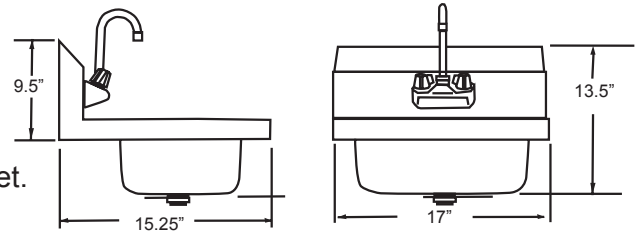
SERVING THE FOOD INDUSTRY SINCE 1951

HAND SINKS & PEDESTAL SINKS



Standard Models

Made of high 20 gauge 304 quality stainless steel. Comes with a 6 1/2" backsplash and mounting brackets faucet. Also available with side splashes.



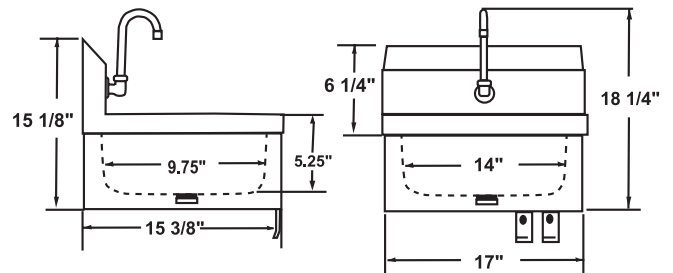
Stainless Steel Hand Sink

ITEM	DESCRIPTION	BOWL DIMENSIONS (LWH)	WEIGHT	DIMENSIONS (DWH)	PACKAGING DIMENSIONS
22122	Hand sink with faucet	13.75" x 9.75" x 5.5"	7 lbs.	15.25" x 17" x 13.5"	17" x 18" x 14"
37867	Hand sink with faucet and side splashes	14" x 10" x 6"	7 lbs.	15.25" x 17" x 13.5"	17" x 18" x 14"
14336	Handsink only				
23703	Faucet for HSK101 4" OC				
14337	Drain plug				
31282	Replacement hot cartridge for 22122				
31283	Replacement cold cartridge for 22122				



Sinks with Knee Valves

Hand sink with faucet. Made of high quality 20 and 18 gauge 304 stainless steel. Also available with side splashes.



Stainless Steel Sinks with Knee Valves

ITEM	DESCRIPTION	BOWL DIMENSIONS (DWH)	WEIGHT	DIMENSIONS (DWH)	PACKAGING DIMENSIONS
22288	Hand sink with knee valve assembly	9 3/4" x 14" x 5.25"	19 lbs.	15 3/8" x 17" x 15 1/8"	16" x 18" x 18"
37868	Hand sink with knee valve assembly and side splashes	9 3/4" x 14" x 5.25"	19 lbs.	15 3/8" x 17" x 15 1/8"	16" x 18" x 18"
19728	Hand sink with one hole				
21123	Knee Valve Assembly				
14337	Drain plug for hand sink				
28680	Replacement hot cartridge for 22288				



OMCAN INC.

Telephone: 1-800-465-0234
 Fax: (905) 607-0234
 E-mail: sales@omcan.com
 Website: www.omcan.com

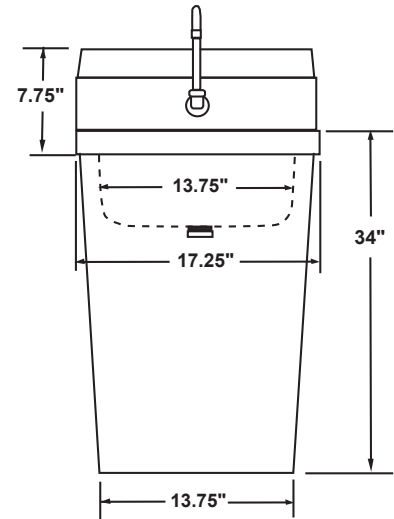
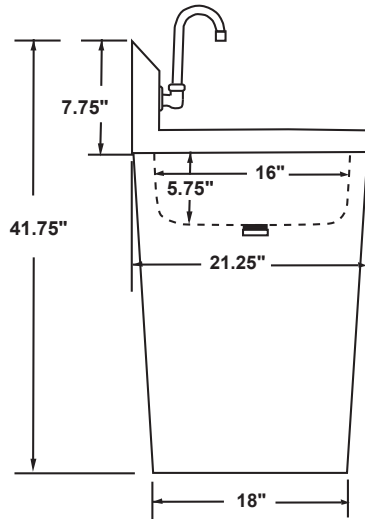


Follow us to keep up to date with the latest news and offers



Pedestal Sinks

Made of high quality 16 gauge 304 stainless steel. Comes with a 7.75" Backsplash, 34" pedestal, foot pedal control valve and faucet. Also available with side splashes.



Stainless Steel Pedestal Sink		
ITEM	23515	27180
DESCRIPTION	Pedestal sink	Pedestal sink with side splashes
BOWL DIMENSIONS (DWH)	16" x 13.75" x 5.75"	16" x 13.75" x 5.75"
WEIGHT	50 lbs.	50 lbs.
DIMENSIONS (DWH)	13.75" x 18" x 41.75"	13.75" x 18" x 41.75"
GROSS DIMENSIONS	22" x 18" x 43"	22" x 18" x 43"
Replacement Hot Cartridge for Pedestal Sink		
ITEM	28680	28681
DESCRIPTION	Replacement hot cartridge for 23515 / 27180	Replacement cold cartridge for 23515 / 27180



OMCAN INC.

Telephone: 1-800-465-0234
 Fax: (905) 607-0234
 E-mail: sales@omcan.com
 Website: www.omcan.com



Follow us to keep up to date with the latest news and offers

